



WARMING LIGHTS

Medical Product Innovations Since 1928

Models 96-SL, 96-DL, 96-TDL

USER'S GUIDE

TABLE OF CONTENTS

Page

-1-

GENERAL DESCRIPTION	1
WARNINGS / CAUTIONS / NOTES	2
SPECIFICATIONS	2
DESCRIPTION OF INDICATORS AND CONTROLS	2
ASSEMBLY INSTRUCTIONS	3
OPERATING INSTRUCTIONS	3
MAINTENANCE and CLEANING	4
Figure 1 WARMING LIGHTS ASSEMBLY	5
Figure 2 PARTS	5
Figure 3 SCHEMATIC, 96-DL MODULE	6
Figure 4 SCHEMATIC, 96-TDL MODULE	6
Figure 5 SCHEMATIC, 96-SL	7
Figure 6 SCHEMATIC, 96-DL, 96-TDL	7

GENERAL DESCRIPTION

The Emerson 96-SL, 96-DL and 96-TDL Warming Lights consist of two adjustable 250-watt infrared lamps enclosed in protective enclosures, which radiate warmth and illumination to the patient. A warm well -lit environment is provided for the patient while the room remains comfortable to personnel. Procedures may be performed without interference to the thermal environment of the patient. A measuring tape is included in the system so that the desirable height adjustment can be made quickly and easily.

Emerson Warming Lights have been used extensively, on both infant and adult patients, when maintenance or restoration of thermal environment is needed for procedures.

CAUTION: Federal Law (USA) restricts this device to use by or at the direction of a physician.

For questions about this product please contact Customer Service at:

J.H. Emerson Co.
22 Cottage Park Avenue
Cambridge, MA 02140-1601
Phone: 800-252-1414 (U.S. and Canada) or 617-864-1414
Fax: 617-868-0841
Email: info@jhemerson.com
Web: www.jhemerson.com

WARNING - ELECTRIC SHOCK HAZARD

Before removing the control panel for servicing, first disconnect the lamp from its electrical power source.

CAUTION

Do not use spray cleaners or disinfectants, or use a wet cloth or sponge to clean the control panel. Liquid can and will enter the controls and may cause a malfunction. Instead, clean with a damp cloth.

CAUTION

For prolonged use of lamps on infants, we suggest shielding the patient's eyes with an opaque material. Although there have been no reports of injury using the Emerson warming lights, there is concern that retinal or corneal damage may be possible if the patient stares continuously at the lamps, due to cumulative exposure to infrared light. When used on adults or for a shorter time, shielding the eyes is not necessary.

NOTES

Do not use in hazardous atmospheres.

Use only Emerson part number 648-3002 infrared-type, reflective backed, lightly frosted, uncolored, bulbs.

Do not allow the lights to be closer to the patient than 28 inches (71 cm). Monitor the patient's temperature frequently.

After adjusting the light height, ensure that the spring-loaded adjustment knob is engaged in one of the holes in the upper pole and the safety pin is inserted in the next higher hole.

SPECIFICATIONS

Model 96-SL:	Continuously on
Model 96-DL:	Continuously on with adjustable intensity
Model 96-TDL:	Timer/Dimmer with a 15-minute adjustable timer and adjustable intensity
Upper Pole:	Aluminum pole with detents every 1-1/2"
Base:	4 casters, 2" diameter, approximately 20" x 25"
Power cord:	10 foot, 16-3 SJTO cord with grounded hospital grade plug
Overall height:	Down position: 63"; Up position: 83"
Lamp Height:	Down position: 53"; Up position: 73"
Weight:	34 lbs.
Shipping Weight:	40 lbs.
Power Requirements:	110 volts, 60 Hz, 500 Watts (a 220 volt model is available)

DESCRIPTION OF INDICATORS AND CONTROLS

On/Off Switch:	2-position rocker switch.
Circuit Breaker Button:	Safety fuse in the event of electrical malfunction.
Time Adjustment Control:	Variable control from 1 to 15 minutes.
Timer Start Button:	Push-button switch.
Dimmer Control:	Variable control to adjust heat intensity.

ASSEMBLY INSTRUCTIONS

- 3 -

1. Please check to ensure that the package you have received contains the following:

1 each Base containing:

4 each casters

4 each 5/16" lock washers

1 each Pole Assembly

1 each Head Assembly

2 each Bulbs

1 each Hardware Package containing:

1 each 5/16 - 18 x 1" hex head screws

1 each 5/16" split lock washer

1 each 5/16" flat washer

4 each #8 - 32 x 1/2" button head screws

4 each #8 lock washers

1 each 3/32" Allen wrench

2. Remove the Base from its box and unwrap it from its padding. Screw the four casters into the base using the 5/16" lock washers. Unwrap the Pole Assembly and position in the Base Assembly as shown in Fig. 1. Secure it in place using a 5/16 - 18 screw, a 5/16" lock washer and a 5/16" flat washer.
3. Remove the Head Assembly from the package and unwrap it. Place it, bezel side down, on a work surface with the bar facing you. While holding the lamps, rotate the Tee Bar up approximately 45 degrees. Lean the Base/Pole Assembly forward so that the mount plate at the top of the pole meets the center of the Tee Bar. Connect the cable from the pole to the cable from the bar and push the cable and any excess wiring into the bar. Bring the mount plate and Tee Bar together and secure using the four 8-32 x 1/2" button head screws and four #8 lock washers.
4. Stand the Light Assembly upright. Install the two bulbs following the "Bulb Replacement" instructions on page 6.

OPERATING INSTRUCTIONS

Initial Setup

Plug the power cord into a suitable grounded electrical outlet (110-120 volts, 60 Hz, unless otherwise specified).

Light Position

Position the light over the patient. Grasp the loop on the measuring tape, located on the right lamp assembly, and extend the tape to the double red lines, which are 28" (71 cm), from the end. With these lines aligned with the bottom of the lamps and the loop tip just touching the patient, you will attain the spacing of 28" (71 cm) between the lamps and the patient that clinical experience has shown is suitable for maintaining the patient's temperature during limited periods.

Height Adjustment

Hold onto the upper pole while pulling the height adjustment knob out. Move the upper pole to the desired height and release the knob. The spring-loaded knob should engage one of the holes in the upper pole, locking it in position. Once the proper distance has been achieved, attach the safety pin in the next higher hole.

Lamp Adjustment

Grasping the bezel handle and rotating the lamp assembly easily changes each lamp. Stops are provided to limit the rotation.

Use

96-SL model - Turn on the power switch.

96-DL model - Turn on the power switch. Adjust the heat output with the Dimmer Control clockwise to increase the heat intensity.

96-TDL model - Turn on the power switch. Set the Time Adjustment Control to the amount of time you want the lamp to stay on.
Push the Timer Start Button. Adjust the heat output with Dimmer Control clockwise to increase the heat intensity.

Infant Eye Protection

The bulbs supplied emit infrared radiation and wavelengths from the visible spectrum (with little, if any, ultraviolet). If the lamp is to be used for an extended period on infants, we suggest shielding the infant's eyes with an opaque material

MAINTENANCE

Bulb Replacement

Loosen the retaining knobs on either side of the lamp housing. Gently pull the bezel down and allow it to hang by the retaining wire while you unscrew the bulb. After installing a new bulb of the same wattage (use Emerson part number 648-3002), push the bezel back on, aligning the slotted holes with the retaining knobs and tighten the knobs securely.

Cleaning

Use mild detergent and a damp rag to clean the exterior surfaces of the light, being careful not to allow any fluid to enter the bulb socket or the control.

Caution

Do not use spray cleaners or disinfectants or a wet rag or sponge to clean the control panel, since liquid can and will enter the controls and may cause a malfunction.

Figure 1 WARMING LIGHTS ASSEMBLY

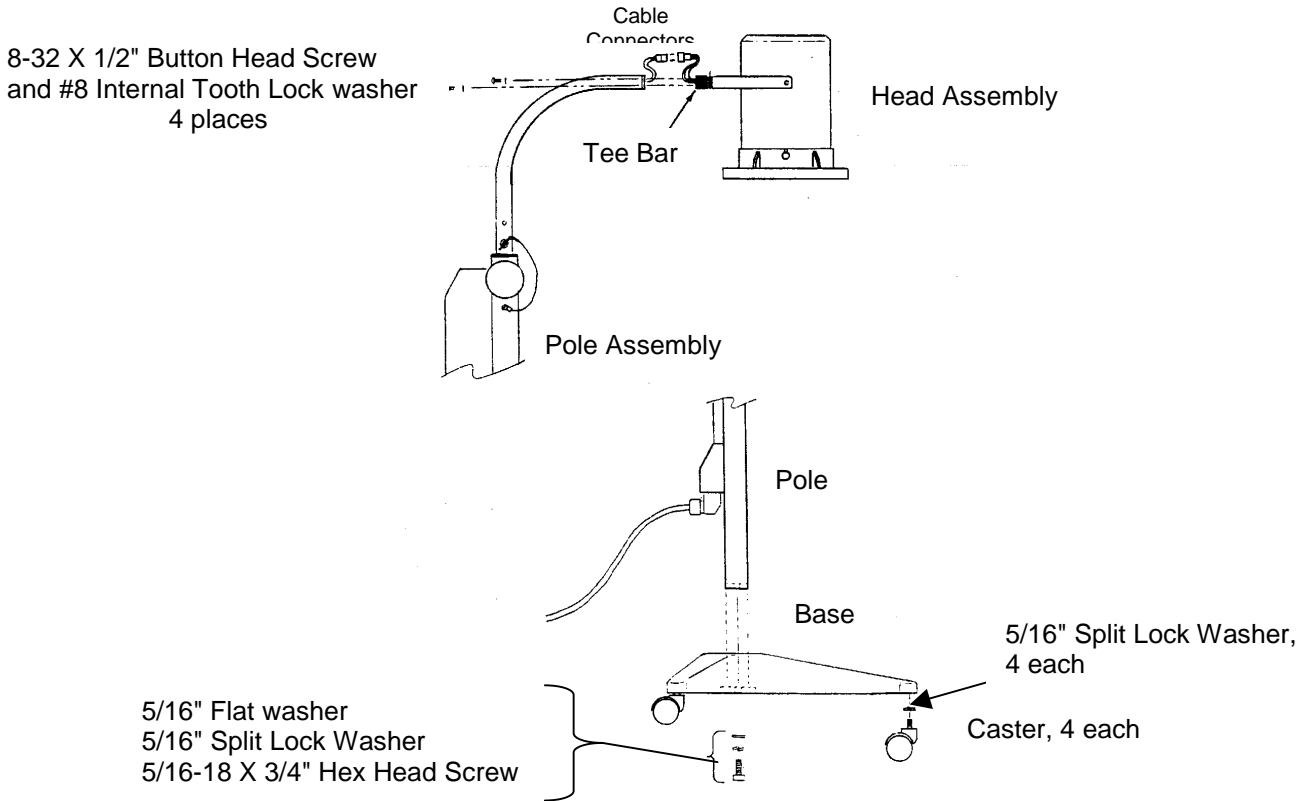


Figure 2 WARMING LIGHTS PARTS

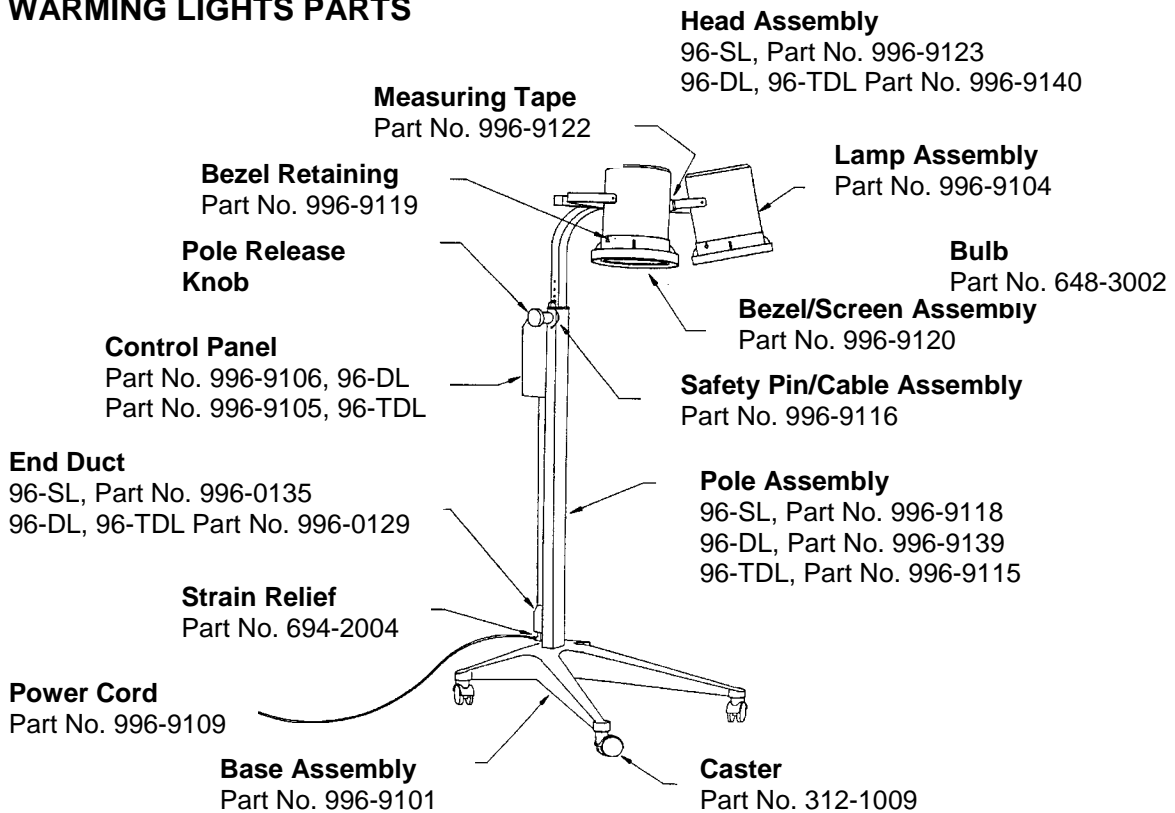


Figure 3 Schematic, 96-DL Module

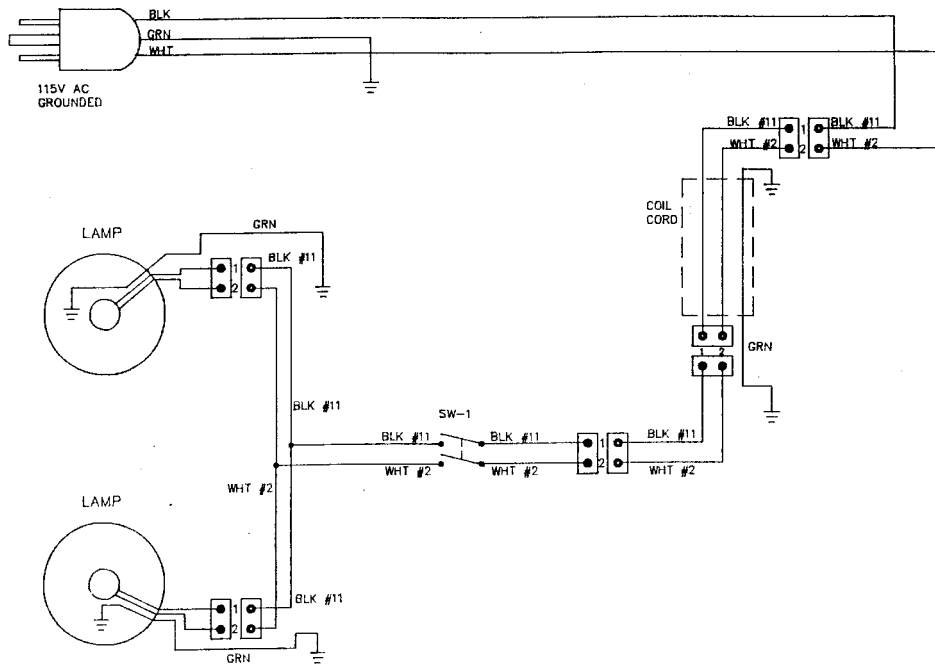


Figure 4 Schematic, 96-DL, 96-TDL Module

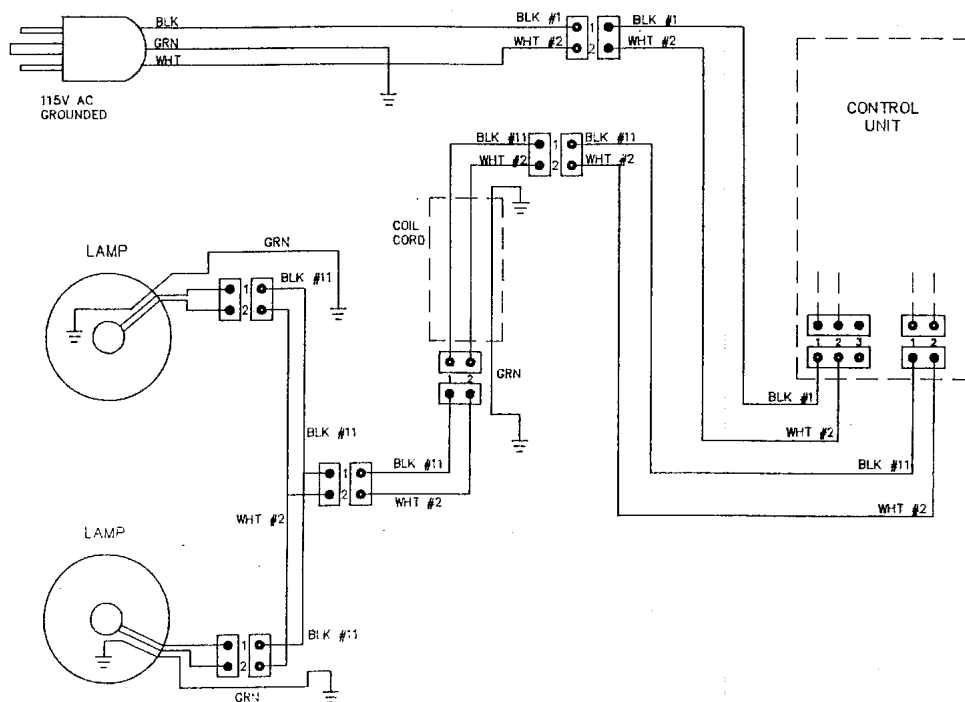


Figure 5 Schematic, 96-DL Module

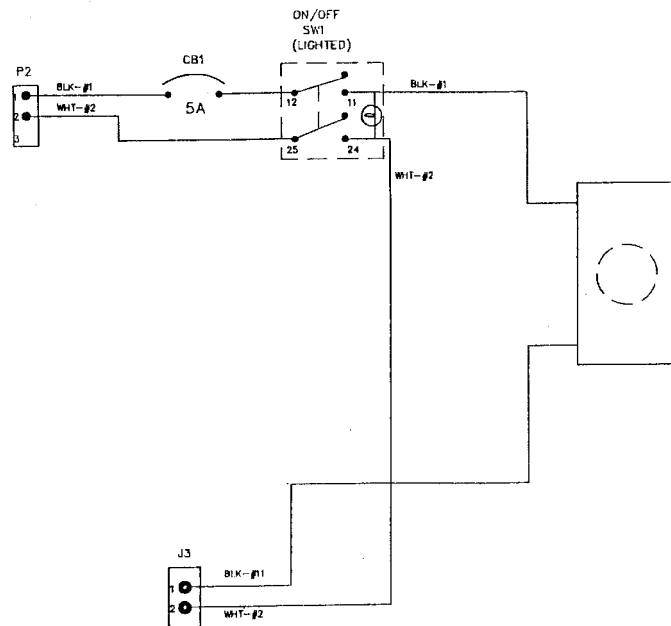
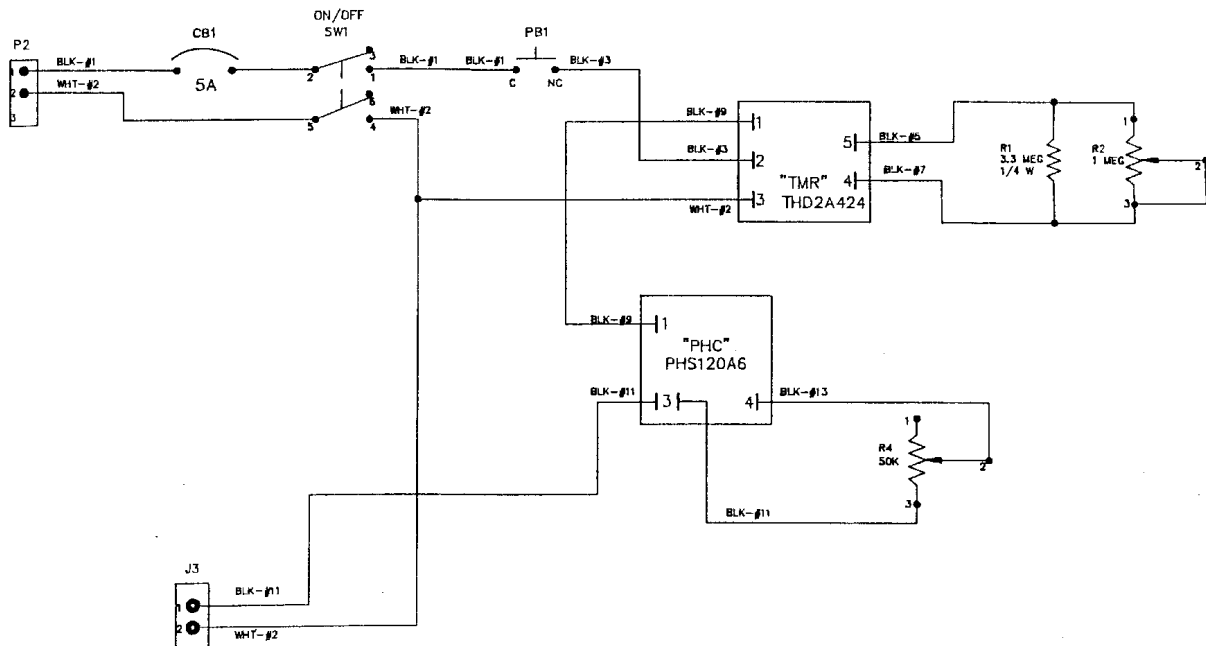


Figure 6 Schematic, 96-TDL Module



J.H. Emerson Co.

22 Cottage Park Avenue
Cambridge, MA 02140-1601

Phone: 800-252-1414 (U.S. and Canada) or 617-864-1414

Fax: 617-868-0841

Email: info@jhemerson.com

Web: www.jhemerson.com